

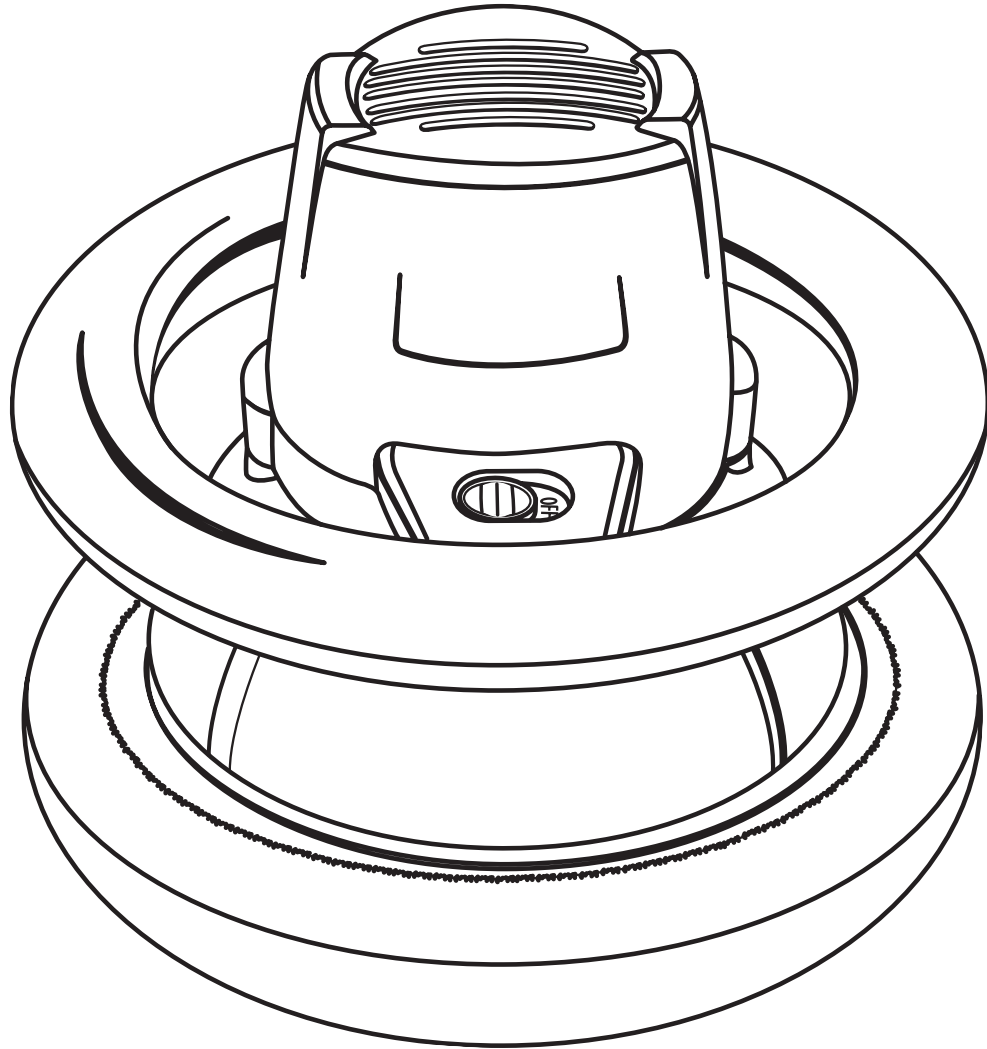


OPERATOR'S MANUAL

10 in. (254 mm)

BUFFER/POLISHER

MODEL RB101



Your new buffer/polisher has been engineered and manufactured to Ryobi's high standard for dependability, ease of operation, and operator safety. When properly cared for, the buffer/polisher will give you years of rugged, trouble-free performance.

⚠ WARNING:

To reduce the risk of injury, the user must read and understand the operator's manual before using this product.

Thank you for buying a Ryobi product.

SAVE THIS MANUAL FOR FUTURE REFERENCE

TABLE OF CONTENTS

□ General Safety Rules	3-4
□ Specific Safety Rules	4
□ Symbols	5
□ Specifications	6
□ Electrical	6
□ Unpacking	7
□ Applications	7
□ Features	8
□ Operation	9-10
□ Maintenance	11
□ Customer Service Information	12

INTRODUCTION

Your buffer/polisher has many features for making the use of this product more pleasant and enjoyable. Safety, performance, and dependability have been given top priority in the design of this product making it easy to maintain and operate.



WARNING:

Do not attempt to use this product until you read thoroughly and understand completely the operator's manual. Pay close attention to the safety rules, including Dangers, Warnings, and Cautions. If you use your product properly and only as intended, you will enjoy years of safe, reliable service.



Look for this symbol to point out important safety precautions. It means attention!!! Your safety is involved.



WARNING:

The operation of any tool can result in foreign objects being thrown into your eyes, which can result in severe eye damage. Before beginning operation, always wear safety goggles or safety glasses with side shields and a full face shield when needed. We recommend Wide Vision Safety Mask for use over eyeglasses or standard safety glasses with side shields. Always wear eye protection which is marked to comply with ANSI Z87.1.

GENERAL SAFETY RULES



WARNING:

Read and understand all instructions. Failure to follow all instructions listed below, may result in electric shock, fire and/or serious personal injury.

SAVE THESE INSTRUCTIONS

WORK AREA

- **Keep your work area clean and well lit.** Cluttered benches and dark areas invite accidents.
- **Do not operate power tools in explosive atmospheres, such as in the presence of flammable liquids, gases, or dust.** Power tools may create sparks which may ignite the dust or fumes.
- **Keep bystanders, children, and visitors away while operating a power tool.** Distractions can cause you to lose control.

ELECTRICAL SAFETY

- **Double insulated tools are equipped with a polarized plug (one blade is wider than the other). This plug will fit in a polarized outlet only one way. If the plug does not fit fully in the outlet, reverse the plug. If it still does not fit, contact a qualified electrician to install a polarized outlet. Do not change the plug in any way.** Double insulation eliminates the need for the three-wire grounded power cord and grounded power supply system.
- **Avoid body contact with grounded surfaces, such as pipes, radiators, ranges, and refrigerators.** There is an increased risk of electric shock if your body is grounded.
- **Don't expose power tools to rain or wet conditions.** Water entering a power tool will increase the risk of electric shock.
- **Do not abuse the cord. Never use the cord to carry the tools or pull the plug from an outlet. Keep cord away from heat, oil, sharp edges, or moving parts. Replace damaged cords immediately.** Damaged cords increase the risk of electric shock.
- **When operating a power tool outside, use an outdoor extension cord marked "W-A" or "W".** These cords are rated for outdoor use and reduce the risk of electric shock.

PERSONAL SAFETY

- **Stay alert, watch what you are doing and use common sense when operating a power tool. Do not use tool while tired or under the influence of drugs, alcohol, or medication.** A moment of inattention while operating power tools may result in serious personal injury.

- **Dress properly. Do not wear loose clothing or jewelry. Contain long hair. Keep your hair, clothing, and gloves away from moving parts.** Loose clothes, jewelry, or long hair can be caught in moving parts or drawn into air vents.
- **Avoid accidental starting. Be sure switch is off before plugging in.** Carrying tools with your finger on the switch or plugging in tools that have the switch on, invites accidents.
- **Remove adjusting keys or wrenches before turning the tool on.** A wrench or a key that is left attached to a rotating part of the tool may result in personal injury.
- **Do not overreach. Keep proper footing and balance at all times.** Proper footing and balance enables better control of the tool in unexpected situations. Do not use on a ladder or unstable support.
- **Use safety equipment. Always wear eye protection.** Dust mask, nonskid safety shoes, hard hat, or hearing protection must be used for appropriate conditions.

TOOL USE AND CARE

- **Use clamps or other practical way to secure and support the workpiece to a stable platform.** Holding the work by hand or against your body is unstable and may lead to loss of control.
- **Do not force tool. Use the correct tool for your application.** The correct tool will do the job better and safer at the rate for which it is designed.
- **Do not use tool if switch does not turn it on or off.** Any tool that cannot be controlled with the switch is dangerous and must be repaired.
- **Disconnect the plug from power source before making any adjustments, changing accessories, or storing the tool.** Such preventive safety measures reduce the risk of starting the tool accidentally.
- **Store idle tools out of the reach of children and other untrained persons.** Tools are dangerous in the hands of untrained users.
- **Maintain tools with care. Keep cutting tools sharp and clean.** Properly maintained tools with sharp cutting edges are less likely to bind and are easier to control.
- **Check for misalignment or binding of moving parts, breakage of parts, and any other condition that may affect the tool's operation. If damaged, have the tool serviced before using.** Many accidents are caused by poorly maintained tools.
- **Use only accessories that are recommended by the manufacturer for your model.** Accessories that may be suitable for one tool, may become hazardous when used on another tool.

GENERAL SAFETY RULES

SERVICE

- **Tool service must be performed only by qualified repair personnel.** Service or maintenance performed by unqualified personnel could result in a risk of injury.
- **When servicing a tool, use only identical replacement parts. Follow instructions in the Maintenance section of this manual.** Use of unauthorized parts or failure to follow Maintenance Instructions may create a risk of electric shock or injury.

SPECIFIC SAFETY RULES

- **Hold tool by insulated gripping surfaces when performing an operation where the buffer/polisher may contact hidden wiring or its own cord.** Contact with a “live” wire will make exposed metal parts of the tool “live” and shock the operator.

ADDITIONAL SAFETY RULES

- **Know your power tool. Read operator’s manual carefully. Learn its applications and limitations, as well as the specific potential hazards related to this tool.** Following this rule will reduce the risk of electric shock, fire, or serious injury.
- **Always wear safety glasses. Everyday eyeglasses have only impact-resistant lenses; they are NOT safety glasses.** Following this rule will reduce the risk of serious personal injury.
- **Protect your lungs. Wear a face or dust mask if the operation is dusty.** Following this rule will reduce the risk of serious personal injury.
- **Protect your hearing. Wear hearing protection during extended periods of operation.** Following this rule will reduce the risk of serious personal injury.
- **Inspect tool cords periodically and, if damaged, have repaired at your nearest Authorized Service Center. Constantly stay aware of cord location.** Following this rule will reduce the risk of electric shock or fire.
- **Check damaged parts. Before further use of the tool, a guard or other part that is damaged should be carefully checked to determine that it will operate properly and perform its intended function. Check for alignment of moving parts, binding of moving parts, breakage of parts, mounting, and any other conditions that may affect its operation. A guard or other part that is damaged should be properly repaired or replaced by an authorized service center.** Following this rule will reduce the risk of shock, fire, or serious injury.
- **Do not abuse cord. Never carry the tool by the cord or yank it to disconnect it from the receptacle. Keep cord away from heat, oil, and sharp edges.** Following this rule will reduce the risk of electric shock or fire.
- **Keep hands away from work surface.** Following this rule will reduce the risk of serious personal injury.
- **Use both hands to operate buffer/polisher.** Following this rule will reduce the risk of serious personal injury.
- **Do not use this buffer/polisher as a component of other products.** Following this rule will reduce the risk of serious personal injury.
- **Inspect for rough surfaces, protrusions and snags on work surface before using the buffer/polisher.** Following this rule will reduce the risk of serious personal injury.
- **Drugs, alcohol, medication. Do not operate tool while under the influence of drugs, alcohol, or any medication.** Following this rule will reduce the risk of electric shock, fire, or serious personal injury.
- **Save these instructions. Refer to them frequently and use them to instruct others who may use this tool. If you loan someone this tool, loan them these instructions also.**

WARNING:





Some dust created by power sanding, sawing, grinding, drilling, and other construction activities contains chemicals known to cause cancer, birth defects or other reproductive harm. Some examples of these chemicals are:

- lead from lead-based paints,
- crystalline silica from bricks and cement and other masonry products, and
- arsenic and chromium from chemically-treated lumber.

Your risk from these exposures varies, depending on how often you do this type of work. To reduce your exposure to these chemicals: work in a well ventilated area, and work with approved safety equipment, such as those dust masks that are specially designed to filter out microscopic particles.

SYMBOLS

Important: Some of the following symbols may be used on your tool. Please study them and learn their meaning. Proper interpretation of these symbols will allow you to operate the tool better and safer.

SYMBOL	NAME	DESIGNATION/EXPLANATION
V	Volts	Voltage
A	Amperes	Current
Hz	Hertz	Frequency (cycles per second)
W	Watt	Power
min	Minutes	Time
~	Alternating Current	Type of current
n_0	No Load Speed	Rotational speed, at no load
	Class II Construction	Double-insulated construction
/min	Per Minute	Revolutions, strokes, surface speed, orbits etc. per minute
	Safety Alert	Precautions that involve your safety
	Eye Protection	Always wear safety goggles or safety glasses with side shields and a full face shield when operating this product.
	Wet Conditions Alert	Do not expose to rain or use in damp locations.

The purpose of safety symbols is to attract your attention to possible dangers. The safety symbols, and the explanations with them, deserve your careful attention and understanding. The safety warnings do not by themselves eliminate any danger. The instructions or warnings they give are not substitutes for proper accident prevention measures.

SYMBOL MEANING



DANGER: Indicates an imminently hazardous situation, which, if not avoided, will result in death or serious injury.



WARNING: Indicates a potentially hazardous situation, which, if not avoided, could result in death or serious injury.



CAUTION: Indicates a potentially hazardous situation, which, if not avoided, may result in minor or moderate injury. It may also be used to alert against unsafe practices that may cause property damage.

Important: Advises you of important information or instructions vital to the operation or maintenance of the equipment.

Note: Advises you of additional information concerning the operation or maintenance of the equipment.

SPECIFICATIONS

Orbits per minute 3200/min.
 Orbit Diameter 1/2 in. (13 mm)
 Motion Random Orbital
 Power Cord 6 ft. (1.8288 m)
 Input 120 Volts, 60 Hz, AC only, .75 Amps

ELECTRICAL

DOUBLE INSULATION

Double insulation is a concept in safety in electric power tools, which eliminates the need for the usual three-wire grounded power cord. All exposed metal parts are isolated from the internal metal motor components with protecting insulation. Double insulated tools do not need to be grounded.

WARNING:

The double insulated system is intended to protect the user from shock resulting from a break in the tool's internal wiring. Observe all normal safety precautions to avoid electrical shock.

Important: Servicing of a tool with double insulation requires extreme care and knowledge of the system and should be performed only by a qualified service technician. For service, we suggest you return the tool to your nearest authorized service center for repair. Always use original factory replacement parts when servicing.

ELECTRICAL CONNECTION

The buffer/polisher has a precision-built electric motor. **It should be connected to a power supply that is 120 volts, 60 Hz, AC only (normal household current).** Do not operate this tool on direct current (DC). A substantial voltage drop will cause a loss of power and the motor will overheat. If your tool does not operate when plugged into an outlet, double-check the power supply.

WARNING:

Your buffer/polisher has a precision built electric motor. It should only be connected to a **power supply that is 120 volts, 60 Hz, AC only (normal household current).** Do not operate this tool on direct current (DC). A substantial voltage drop will cause a loss of power and the motor will overheat. If your tool does not operate when plugged into an outlet, double check the power supply.

EXTENSION CORDS

When using a power tool at a considerable distance from a power source, be sure to use an extension cord that has the capacity to handle the current the tool will draw. An undersized cord will cause a drop in line voltage, resulting in overheating and loss of power. Use the chart to determine the minimum wire size required in an extension cord. Only round jacketed cords listed by Underwriter's Laboratories (UL) should be used.

When working outdoors with a tool, use an extension cord that is designed for outside use. This type of cord is designated with "WA" on the cord's jacket.

Before using any extension cord, inspect it for loose or exposed wires and cut or worn insulation.

**Ampere rating
(on tool faceplate) 0-2.0 2.1-3.4 3.5-5.0 5.1-7.0 7.1-12.0 12.1-16.0

Cord Length	Wire Size (A.W.G.)					
25'	16	16	16	16	14	14
50'	16	16	16	14	14	12
100'	16	16	14	12	10	—

***Used on 12 gauge - 20 amp circuit.*

WARNING:

Keep the extension cord clear of the working area. Position the cord so that it will not become entangled in the rotating foam pad or caught on lumber, tools or other obstructions while you are working with a power tool. Failure to do so can result in serious personal injury.

UNPACKING

INSTRUCTIONS

When unpacking the buffer/polisher:

- Carefully remove the tool and accessories from the box.
- Make sure that all items listed in the packing list are included.
- Inspect the tool carefully to make sure no breakage or damage occurred during shipping.
- Do not discard the packing material until you have carefully inspected and satisfactorily operated the tool.
- If any parts are damaged or missing, please call 1-800-525-2579 for assistance.

PACKING LIST

10 in.(254 mm) Buffer/Polisher
1 Application bonnet
1 Polishing bonnet
Operator's Manual
Warranty Registration Card

WARNING:

If any parts are missing do not operate your tool until the missing parts are replaced. Failure to do so could result in possible serious personal injury.

WARNING:

The buffer/polisher should never be connected to a power supply when you are assembling parts, making adjustments, cleaning, performing maintenance, or when the tool is not in use. Disconnecting the tool will prevent accidental starting that could cause serious injury.

APPLICATIONS

You may use the buffer/polisher on the surfaces listed below:

- Car
- Boat
- RV
- Personal Aircraft
- Motorcycle
- Hardwood floors
- Large furniture

FEATURES

KNOW YOUR BUFFER/POLISHER

See Figure 1.

Before using the buffer/polisher, familiarize yourself with all operating features and safety requirements.

WARNING:

Do not allow familiarity with your buffer/polisher to make you careless. Remember that a careless fraction of a second is sufficient to inflict severe injury.

Your new buffer/polisher is equipped with the following features.

STEERING WHEEL HANDLE

The buffer/polisher has a steering wheel-shaped handle.

CORD

The buffer/polisher has a 6-foot power cord.

APPLICATION BONNET

The reusable application bonnet is made of 100% terry cloth.

POLISHING BONNET

The reusable polishing bonnet is made of synthetic tufted material.

FOAM PAD

The foam pad is 10 in. (254 mm) in diameter.

ON/OFF SWITCH

The on/off switch is within reach of the operator's thumb.

MOTOR HOUSING

The air vent for the motor is located on top of the motor housing.

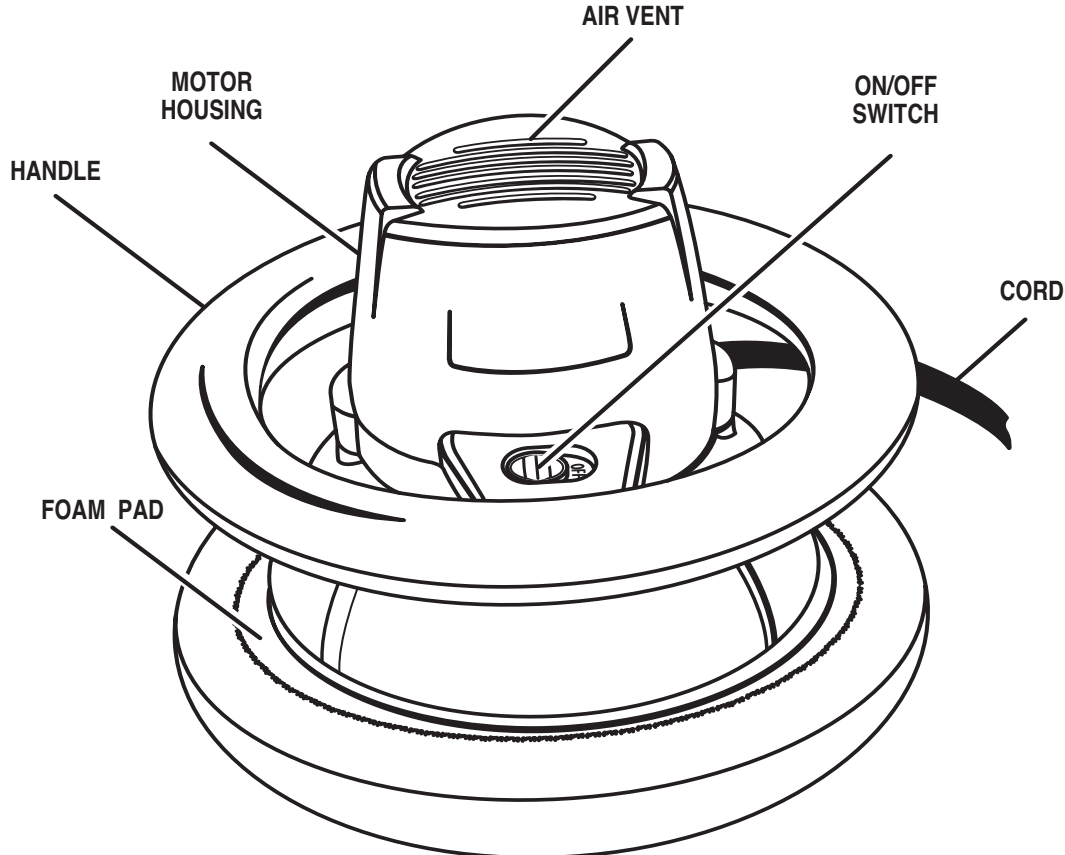


Fig. 1

OPERATION

⚠ WARNING:

Always wear safety goggles or safety glasses with side shields when operating this tool. Failure to do so could result in dust, or loose particles being thrown into your eyes, resulting in possible serious injury.

PREPARE THE SURFACE

For best results, the surface should be clean and dry. Most high-gloss surfaces can be cleaned with a mild soap and water solution. For removal of stubborn dirt such as road tar, grease, and bug stains, you can use a mild ammonia solution such as that used in glass cleaners. Before using any cleaning product, check the label for recommended applications and follow the directions for use.

Never apply cleaner directly onto surface to be polished. Apply to a clean cloth then use the cloth to clean the surface.

Do not use any type of abrasive cleanser as it may damage or scratch the surface.

⚠ WARNING:

Before connecting your buffer/polisher to the power source, always check to make sure the switch is not in **ON** position. Failure to do so could result in accidental starting of your buffer/polisher resulting in possible serious personal injury.

ATTACH THE APPLICATION BONNET

See Figure 2.

⚠ WARNING:

To avoid injury, always make sure the buffer/polisher is unplugged before attaching bonnets.

Your buffer/polisher comes with two bonnets, one for applying the polish to the surface and another for buffing the surface. Both are fitted with a drawstring. The application bonnet is the one made of 100% terry cloth.

To attach the application bonnet to the pad, loosen the drawstring so that the bonnet fits completely over the pad. Place the bonnet over the pad so that the outer edge can be drawn over the top of the pad. Then carefully tighten the drawstring around the pad and secure it with a bow knot. Tuck the drawstring inside the bonnet.

⚠ WARNING:

The drawstring must be tucked securely inside the bonnet before turning the buffer/polisher on. Failure to do so could result in the drawstring being caught between the motor housing and orbiting foam pad, increasing the risk of serious personal injury.

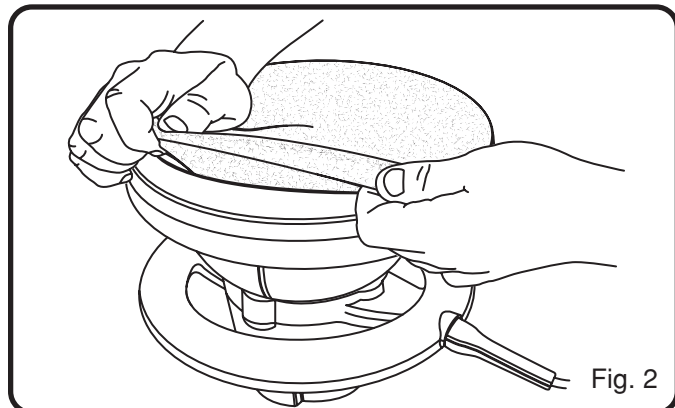


Fig. 2

APPLY POLISH TO THE APPLICATION BONNET

Most polishes are either in paste or liquid form. Before using any polish read all directions on appropriate applications and proper use.

APPLICATION OF PASTE POLISH

See Figure 3.

Use a putty knife or other flat, blunt object to apply approximately one rounded teaspoon of paste onto the bonnet. Evenly spread the paste over the entire surface of the bonnet.

Do not apply paste directly to the surface being polished.

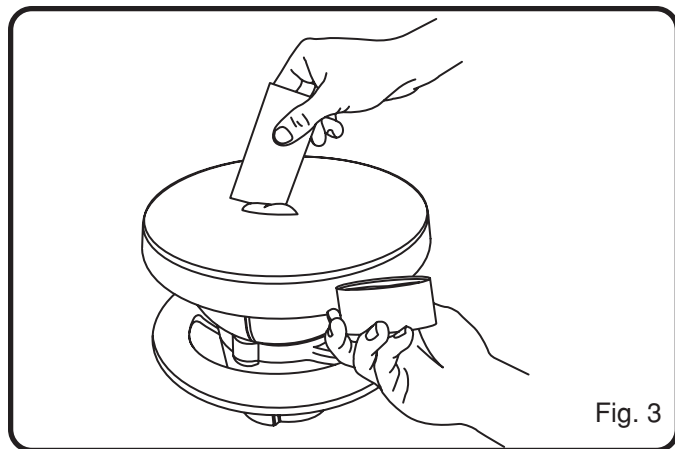


Fig. 3

OPERATION

⚠ WARNING:

Always wear safety goggles or safety glasses with side shields during operation.

APPLICATION OF LIQUID POLISH

See Figure 4.

Apply a small circle of liquid (about the size of a half-dollar) around the center of the bonnet, followed by two more rings, each slightly larger than the previous one. After the first application, the bonnet will not absorb as much polish. Apply two rings of polish to the bonnet for subsequent applications, using half of the initial quantity.

APPLY POLISH TO SURFACE

See Figure 5.

While holding the polisher firmly against the surface, slide the **ON/OFF** switch to the **ON** position with your thumb. Always start and stop the polisher on or against the surface being polished.

Begin by polishing larger flat surfaces, such as the hood, trunk and roof. Use a broad sweeping motion in a criss-cross pattern. Do not press down on the surface with the polisher. Let the orbital action of the pad and bonnet do the work.

Once flat surfaces have been covered, polish curved surfaces such as car doors and quarter panels. Use small circular motions. Grip polisher with your hands at 3 and 9 o'clock so that the cord hangs free.

After applying polish to the entire surface, turn polisher off by pushing the **ON/OFF** switch with your thumb. Wait until the pad stops rotating before lifting the polisher from the surface. Unplug polisher.

For hard to reach areas, such as the underside of bumpers or side mirrors, apply polish by hand.

⚠ WARNING:

Do not wear loose clothing or jewelry and contain long hair when operating buffer/polisher. They could get caught in moving parts, causing serious injury.

CHANGE TO BUFFING BONNET

See Figure 6.

Remove the application bonnet by loosening the drawstring and slipping the bonnet off the pad. Replace with buffing bonnet, attaching it the same way as the application bonnet.

Buff the surface in the same order as it was polished, starting with large flat surfaces and ending with hard-to-reach areas. Use the same motion as for polishing, a broad sweeping criss-cross pattern on large flat areas and small circular motions on all other areas. Remember to let the tool do the work.

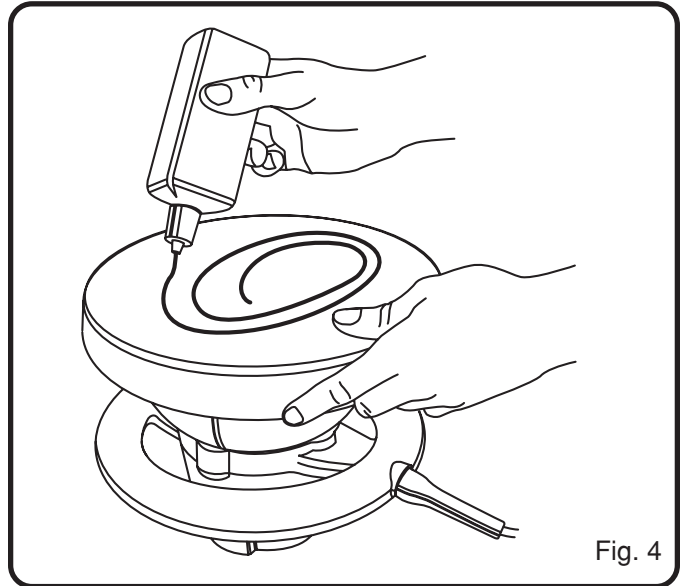


Fig. 4

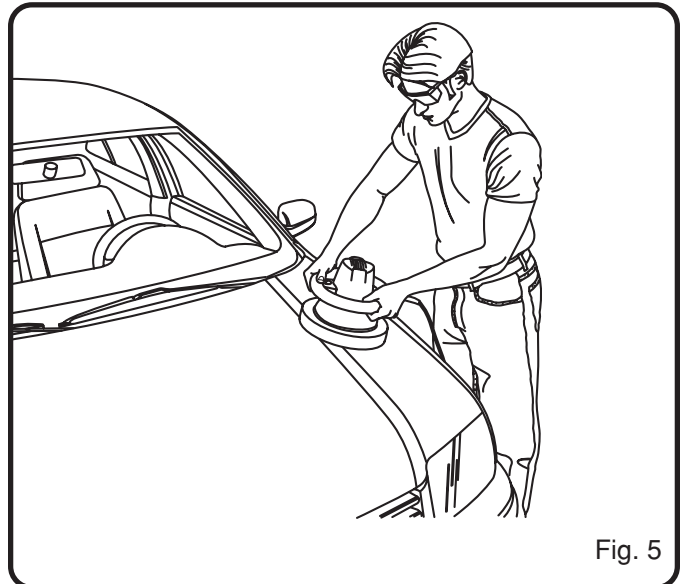


Fig. 5

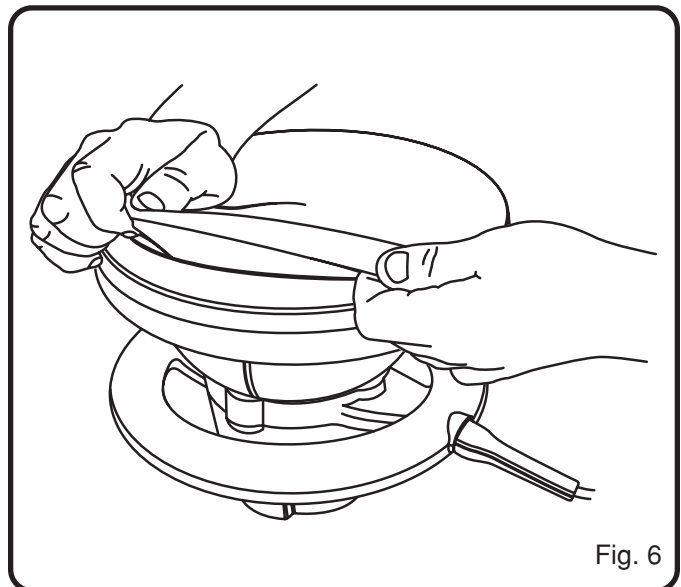


Fig. 6

MAINTENANCE

WARNING:

When servicing use only identical Ryobi replacement parts. Use of any other parts may create a hazard or cause product damage.

WARNING:

The buffer/polisher should never be connected to a power supply when you are assembling parts, making adjustments, cleaning, performing maintenance, or when the tool is not in use. Disconnecting the tool will prevent accidental starting that could cause serious injury.

GENERAL

Avoid using solvents when cleaning plastic parts. Most plastics are susceptible to damage from various types of commercial solvents and may be damaged by their use. Use clean cloths to remove dirt, carbon dust, etc.

WARNING:

Do not at any time let brake fluids, gasoline, petroleum-based products, penetrating oils, etc. come in contact with plastic parts. They contain chemicals that can damage, weaken, or destroy plastic.

Electric tools used on fiberglass material, wallboard, spackling compounds, or plaster are subject to accelerated wear and possible premature failure because the fiberglass chips and grindings are highly abrasive to bearings, brushes, commutators, etc. Consequently, we do not recommend using this tool for extended work on these

types of materials. However, if you do work with any of these materials, it is extremely important to clean the tool using compressed air.

APPLICATION AND BUFFING BONNETS

Both the application and buffing bonnets are reusable. For maximum life and performance, hand wash after use and allow them to air dry. If needed, the bonnets can be machine washed in cold water with a small amount of detergent, then machine dried using low heat.

FOAM PAD

It is important that the pad retains its original shape and dimensions. Allow it to dry completely after each use. Make sure to remove the bonnets, wash them and store separately. Polisher should be stored with the pad facing up in order to extend pad life and retain its shape. Be careful not to use too much polish at one time. If the pad becomes saturated, it will not last as long.

MOTOR AND INTERNAL COMPONENTS

The motor and internal components are designed to be maintenance free. The exterior surface can be cleaned with a mild soap and damp sponge.

If you suspect a problem with the motor or other internal components, do not attempt to remove the motor housing or otherwise expose the internal components. Contact Ryobi Customer Service at 1-800-525-2579 for the authorized service center nearest you.

LUBRICATION

All of the bearings in this tool are lubricated with a sufficient amount of high grade lubricant for the life of the tool under normal operating conditions. Therefore, no further lubrication is required.

TROUBLESHOOTING

Problem	Possible Cause	Solution
Wax does not go on evenly.	Too much wax on the bonnet.	Remove a portion of the wax and retry.
Polishing seems difficult.	Bonnet may be worn.	Replace bonnet.
Polisher does not turn on.	Bad connection to receptacle. Problem with motor.	Check to make sure plug is properly seated in outlet. If using an extension cord, check connection and wire gauge. Call your Ryobi authorized service center.
Bonnet surface is creased or wrinkled, resulting in uneven application/buffing.	Drawstring is loose.	Untie drawstring and retighten.
Pad spins slower than normal or not at all.	Motor needs to be serviced or replaced.	Call your Ryobi authorized service center.



OPERATOR'S MANUAL

10 in. (254 mm)

BUFFER/POLISHER

MODEL RB101

CUSTOMER SERVICE INFORMATION

For parts or service, contact your nearest Ryobi authorized service center. Be sure to provide all relevant information when you call or visit. For the location of the authorized service center nearest you, please call 1-800-525-2579 or visit us online at www.ryobitools.com.

The model number of this tool is found on a plate attached to the buffer/polisher. Please record the serial number in the space provided below. When ordering repair parts, always give the following information:

Model No. **RB101**

Serial No. _____

RYOBI TECHNOLOGIES INC.

1428 Pearman Dairy Road Anderson, SC 29625

Post Office Box 1207 Anderson, SC 29622

www.ryobitools.com

1-800-525-2579